

INSTALLATION INSTRUCTIONS

DESCRIPTION: QUICK SHIFTER KIT

PART NUMBER: BAT-E81A0-V0

MODEL: 2023-2024 MT-07



⚠ WARNING

Please read and understand these instructions completely before installation to avoid possible injury, or damage to the accessory or vehicle.

NOTICE:

Installation of this kit requires a torque wrench and should be performed by an authorized Yamaha dealer or a qualified mechanic.

WARRANTY INFORMATION:

In the United States, contact your dealer of purchase for information, fitment advice and a copy of the Yamaha Genuine Parts and Accessories Limited Warranty for this accessory.

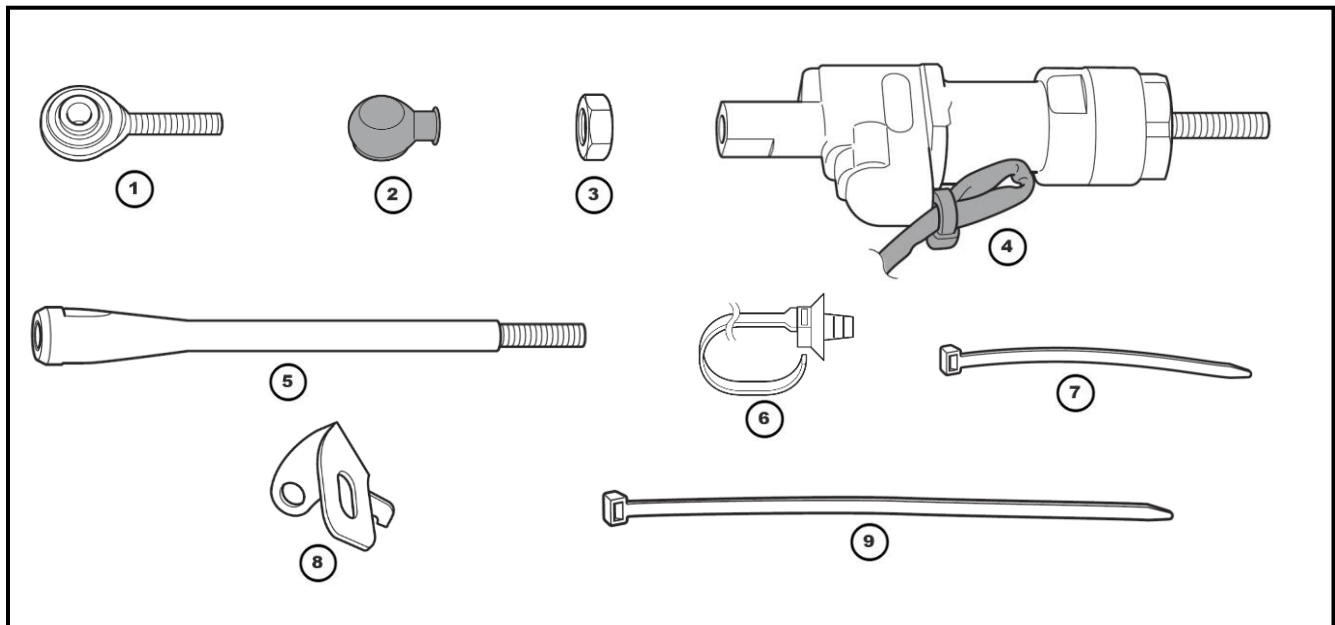
DEALER OR INSTALLER:

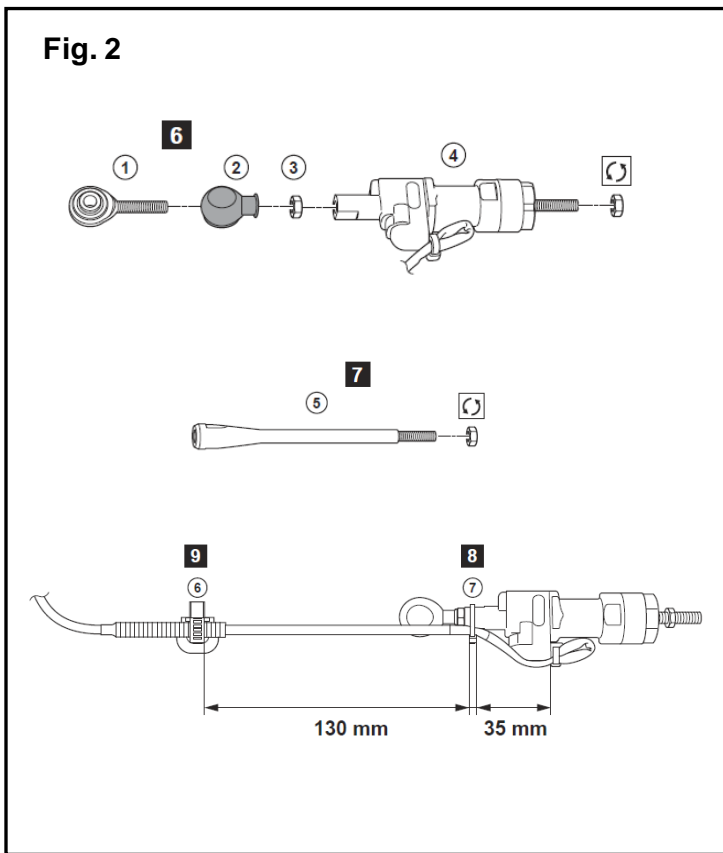
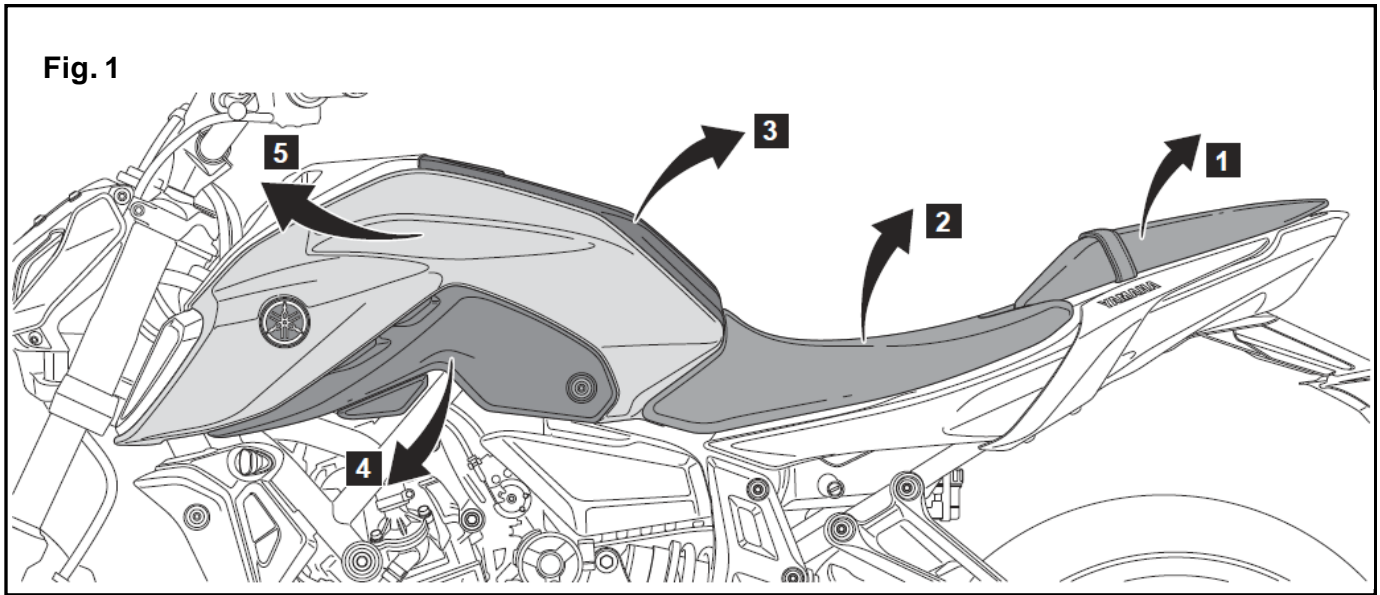
These instructions contain important information for future reference and *must* be given to the customer.

PARTS LIST:

No.	Part Number	Description	Qty
--	BAT-E81A0-V0	QUICK SHIFTER KIT	--
①	5LV-18116-00	ROD END BEARING	1
②	4XV-18154-00	DUST COVER	1
③	*	NUT	1
④	BS2-82470-00	SHIFT SWITCH ASSEMBLY	1
⑤	*	SHIFT ROD	1
⑥	90464-25009	CLAMP	1
⑦	90464-16019	CLAMP	1
⑧	*	BRACKET	1
⑨	*	CLAMP	1

* Part supplied with kit only and not available separately.





PREPARATION:

- Place the vehicle on a secure and level surface.
- Set the parking brake.
- Clean the mounting surfaces before beginning installation.

INSTALLATION:

1. Remove seat and covers as shown in Figure 1, following the steps in the order shown.
2. Pre-assemble Quick Shifter as shown in Figure 2.
3. Remove stock shift rod and install bracket, quick shifter and accessory shift rod as shown in Figures 3 & 4. Torque fasteners and apply thread-locking compound as shown.
4. Adjust the shift rod and secure the cables as shown in Figure 5.
5. Enable the system as shown in Figure 6.

Fig. 3

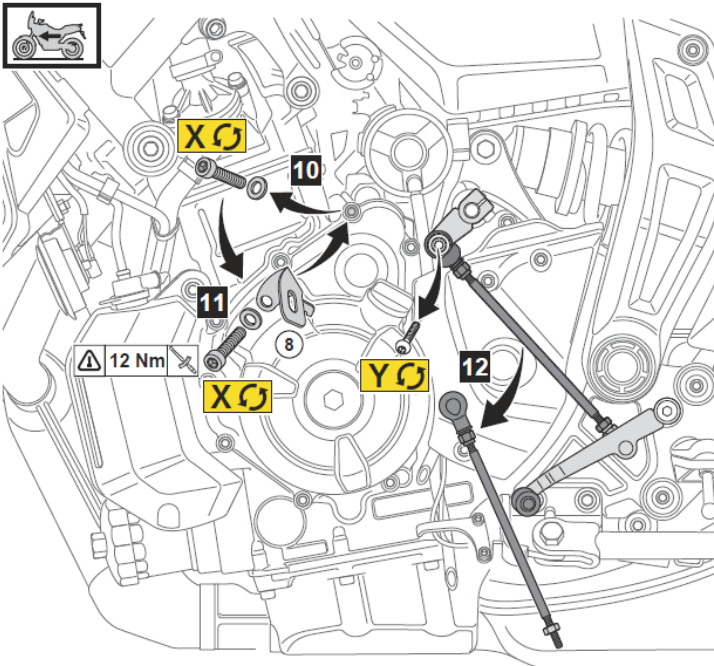


Fig. 4

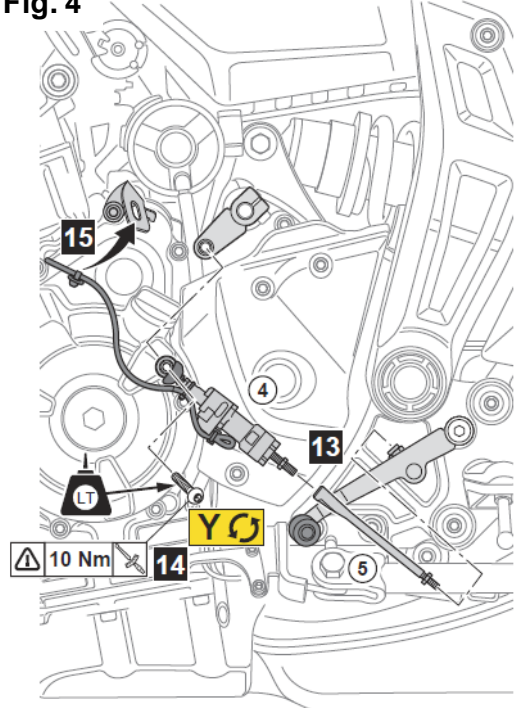


Fig. 5

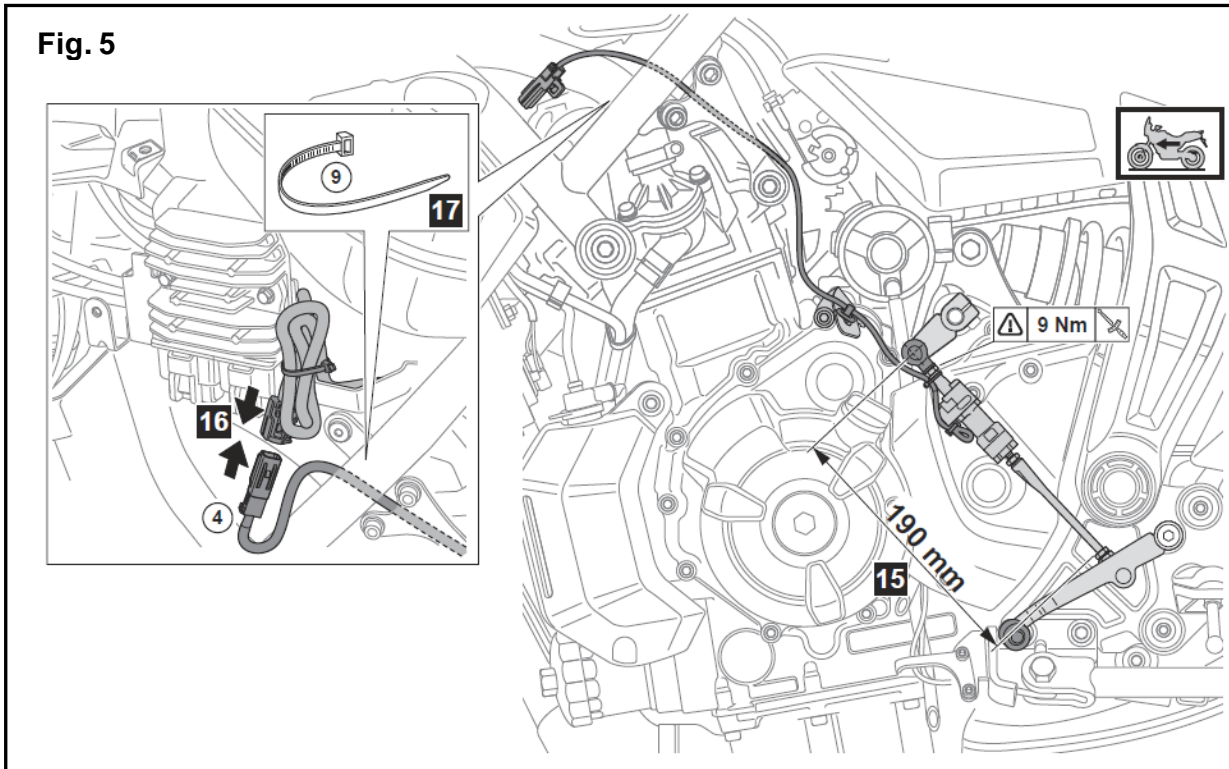
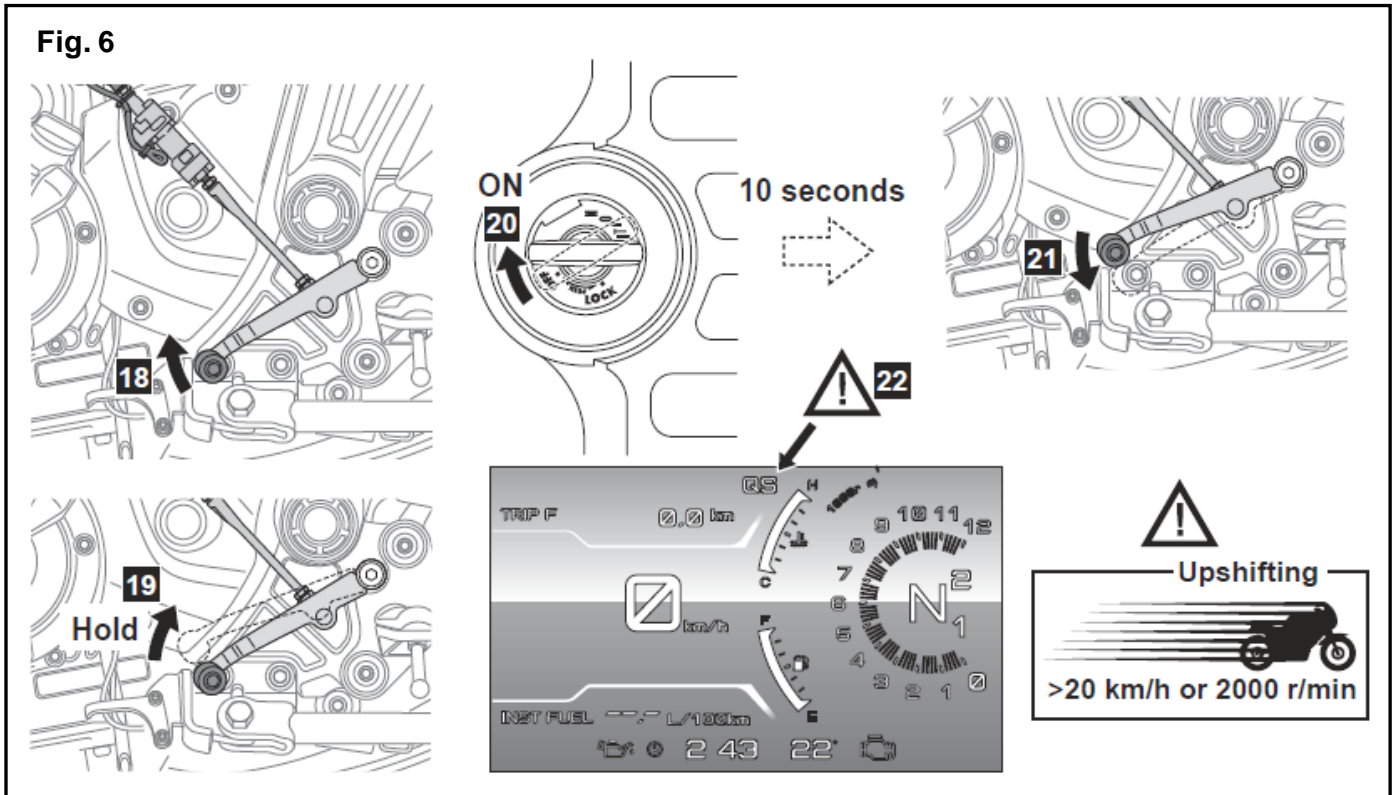


Fig. 6



MAINTENANCE:

Periodically, check torque on all hardware. If loose hardware is found, re-torque to specification.

CARE AND CLEANING:

Clean painted metal parts with a clean soft cloth and mild soap and water solution. Rinse and dry.

CUSTOMER SERVICE:

For further information see your Yamaha dealer.

ESTIMATED TIME TO INSTALL: 0.5 HRS.